

Two-section reversible heat pump

Air cooled

Indoor installation

Capacity from 5,19 to 17 kW

DC Inverter

**GAIA L Comfort**

GAIA L Comfort is the highly efficient heat pump for new properties.
The main features are:

- ▶ **HIGH SEASONAL EFFICIENCY:** guaranteed by the DC Inverter technology applied on the compressor, with which the capacity can be modulated in relation to actual energy demand, thereby allowing for a significant increase of seasonal efficiency.
- ▶ **ADVANCED TECHNOLOGY:** Clivet's constant strive for improvement led to the introduction of special design features, such as the hydrophilic battery to ensure better energy exchange and a reduction of defrosting cycles and the electronic thermostatic to optimize the operation of the refrigeration circuit with the DC Inverter compressor. The unit is fitted with a DC Inverter transfer fluid is handled.
- ▶ **EFFICIENT PRODUCTION OF DOMESTIC HOT WATER:** the exchanger with braze-welded plates allows for far greater exchange efficiency compared to traditional solutions with a static exchanger immersed in the storage tank. This also allows for the recirculation of domestic water in the system through the circulator integrated into the unit. The storage tank contains 280 litres of water.
- ▶ **SOLAR THERMAL INTEGRATION:** Gaia L Comfort can be fitted with an additional exchanger with braze-welded plates to generate domestic hot water free of charge via the energy captured by the solar panels.

functions and features

Heat pump



Air cooled



Indoor installation (GLC)



Outdoor installation (MSAN-GL)



R-410A



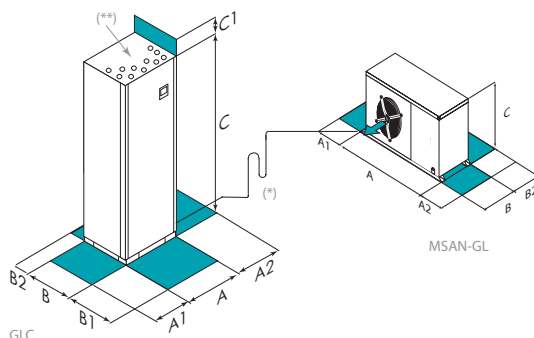
Hermetic Scroll (GLC)



Hermetic Rotary (MSAN-GL)

ELFOControl² (GLC)

Full Inverter DC (GLC)

dimensions and clearances

GLC

MSAN-GL

CAUTION! For trouble-free operation of the unit it is essential to maintain the safety distances indicated by the green areas.

(*) The max distance between the two units can be 20 m with a max difference level of 15 m

(**) Water connections

Size – GLC		A		B	
A - Length	mm	600		600	
B - Width	mm	800		800	
C - Height	mm	2030		2030	
A1	mm	800		800	
A2	mm	100		100	
B1	mm	500		500	
B2	mm	500		500	
C1	mm	200		200	
Operating weight	kg	450		470	

Size – MSAN-GL	2.1	3.1	4.1	5.1	7.1	8.1	
A - Length	mm	942	942	942	1087	1750	
B - Width	mm	412	412	412	440	724	
C - Height	mm	992	992	992	1234	1267	
A1	mm	100	100	100	100	100	
A2	mm	500	500	500	500	500	
B2	mm	150	150	150	150	150	
Operating weight	kg	102	105	113	157	161	225

The above mentioned data are referred to standard units for the constructive configurations indicated. For all the other configurations, refer to the relative Technical Bulletin.

versions and configurations

SOLAR INTEGRATION MODULE:

- ▶ - Not required (sizes A÷B only, Standard)
- ▶ **SOL** Drain-back solar integration for domestic hot water (sizes A÷B)

technical data

Size – GLC+MSAN-GL		2.1	3.1	4.1	5.1	7.1	8.1
Unit for radiant panels							
A7/W35							
▶ Heating capacity	kW	5,19	6,87	8,54	12,2	14,3	17,0
Total power input	kW	1,32	1,76	2,18	3,13	3,67	4,35
COP (EN 14511:2013)	-	3,94	3,91	3,91	3,91	3,91	3,91
A2/W35							
▶ Heating capacity	kW	4,06	5,40	6,70	9,59	11,2	13,5
Total power input	kW	1,29	1,71	2,13	3,07	3,58	4,26
COP (EN 14511:2013)	-	3,14	3,16	3,15	3,12	3,14	3,18
A-5/W35							
▶ Heating capacity	kW	3,27	4,39	5,45	7,74	9,07	11,3
Total power input	kW	1,26	1,66	2,08	3,01	3,50	4,21
COP (EN 14511:2013)	-	2,59	2,65	2,62	2,57	2,59	2,69
A35/W18							
▶ Cooling capacity	kW	4,11	6,56	8,05	10,7	12,2	15,9
Total power input	kW	1,07	1,78	2,23	2,76	3,38	4,38
EER (EN 14511:2013)	-	3,85	3,69	3,61	3,86	3,61	3,64
Terminal units							
A7/W45							
▶ Heating capacity	kW	5,01	6,59	8,65	11,6	13,6	16,6
Total power input	kW	1,59	2,11	2,89	3,78	4,50	5,52
COP (EN 14511:2013)	-	3,15	3,12	2,99	3,08	3,02	3,02
A2/W45							
▶ Heating capacity	kW	3,93	5,18	6,85	9,28	10,6	13,1
Total power input	kW	1,55	2,04	2,78	3,67	4,30	5,29
COP (EN 14511:2013)	-	2,54	2,54	2,47	2,53	2,47	2,49
A-5/W45							
▶ Heating capacity	kW	3,19	4,22	5,66	7,77	8,55	10,8
Total power input	kW	1,49	1,94	2,65	3,54	4,07	5,25
COP (EN 14511:2013)	-	2,15	2,17	2,14	2,20	2,10	2,07
A35/W7							
▶ Cooling capacity	kW	4,05	5,37	7,19	8,65	11,1	15,5
Total power input	kW	1,46	1,93	2,79	3,12	4,50	5,91
EER (EN 14511:2013)	-	2,77	2,78	2,58	2,77	2,46	2,62
ESEER	-	4,08	4,02	3,89	4,03	4,00	4,06
Radiators							
A7/W55							
▶ Heating capacity	kW	4,72	6,30	8,00	10,6	12,5	15,3
Total power input	kW	1,96	2,59	3,54	4,65	5,74	6,95
COP (EN 14511:2013)	-	2,41	2,44	2,26	2,29	2,17	2,20
A2/W55							
▶ Heating capacity	kW	3,72	4,92	6,30	8,48	10,0	12,1
Total power input	kW	1,90	2,48	3,39	4,58	5,65	6,69
COP (EN 14511:2013)	-	1,96	1,99	1,86	1,85	1,77	1,80
A-5/W55							
▶ Heating capacity	kW	3,04	3,96	5,16	7,08	8,45	10,2
Total power input	kW	1,80	2,33	3,20	4,51	5,55	6,71
COP (EN 14511:2013)	-	1,69	1,70	1,61	1,57	1,52	1,53
Water flow-rate (User Side)	(1) l/s	0,19	0,26	0,34	0,41	0,53	0,74
Useful pump discharge head	(2) kPa	50	44	36	52	48	37
Storage capacity	l	280	280	280	280	280	280
Solar heat exchanger capacity	(3) W/K	2703	2703	2703	3186	3186	3186
Standard power supply	V	230/1/50	230/1/50	230/1/50	400/3/50+N	400/3/50+N	400/3/50+N
Sound pressure level (1m) outdoor unit	dB(A)	49	49	49	53	54	56
Min inlet air temperature (D.B.)	°C	-20	-20	-20	-20	-20	-20
Max. leaving water temperature	°C	60	60	60	60	60	60

Notes

- (1) Data refer to the following conditions: internal water exchanger = 12/7 °C; outdoor air temperature 35°C
- (2) Data referred to the following conditions: A-5 / W35 internal exchanger water 30/35°C and heating capacity equal to 100% of the maximum compressor speed.
- (3) Only for configuration GAIA L Comfort Solar (SOL)

Performances according to EN 14511:2013

A7/W35 internal exchanger water 30/35°C; external air temperature 7°C D.B./ 6°C W.B.

A2/W35 internal exchanger water 30/35°C; external air temperature 2°C D.B./ 1,1°C W.B.

A-5/W35 internal exchanger water 30/35°C; external air temperature -5°C D.B./ -5,4°C W.B.

A7/W45 internal exchanger water 40/45°C; external air temperature 7°C D.B./ 6°C W.B.

A2/W45 internal exchanger water 40/45°C; external air temperature 2°C D.B./ 1,1°C W.B.

A-5/W45 internal exchanger water 40/45°C; external air temperature -5°C D.B./ -5,4°C W.B.

A7/W55 internal exchanger water 50/55°C; external air temperature 7°C D.B./ 6°C W.B.

A2/W55 internal exchanger water 50/55°C; external air temperature 2°C D.B./ 1,1°C W.B.

A-5/W55 internal exchanger water 50/55°C; external air temperature -5°C D.B./ -5,4°C W.B.

A35/W18 internal exchanger water 23/18°C; external air temperature 35°C

A35/W7 internal exchanger water 12/7°C; external air temperature 35°C

accessories

GLC only:

- ▶ **EH246X** Modular supplementary electric heater, from 2-4 and 6kW (sizes A÷B)

Key to symbols:

- Accessories separately supplied

MSAN-GL only:

- ▶ **CBRX** Unit with remote keypad.
- ▶ **AMRX** Rubber antivibration mounts