



Close control air-conditioning unit

Direct expansion
Condenserless
Indoor installation
Capacity from 19,9 to 99,8 kW

CLOSEControl



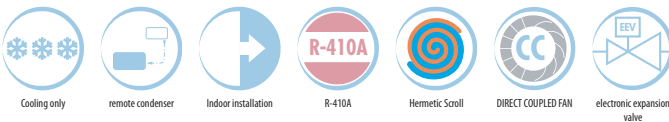
UCP-DX Clivet air conditioners are energy efficient modular units, direct expansion water cooled condensing units can be combined with **CE-X** series remote condensers and complete with precision adjustment.

They are specialised in climate control for technological areas with a high thermal load and continuous cycle operation, such as Data Centres, Telecommunication stations, Laboratories and Processing sites.

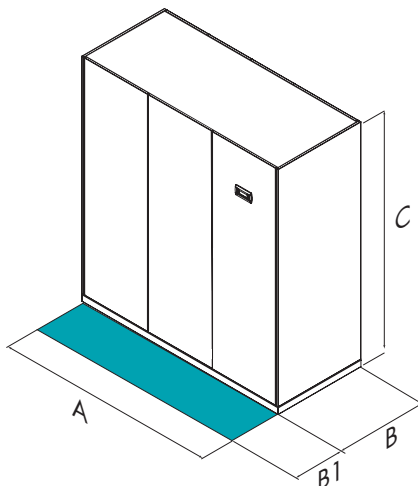
The UCP-DX technological solutions include electronically controlled ventilated sections, electronic thermostatic valve and differently sized compressors connected to the same chilling circuit or two separate chilling circuits with a single compressor. They contribute to reducing operational costs and the environmental impact of the site, thanks to the efficient use of the available energy and simplification of maintenance operations.

The **Twin Cooling version with additional chilled water circuit** also allows an additional increase in the safety level since it is possible to count on two distinct and independent sources.

functions and features



dimensions and clearances



Size – UCP-DX		61	81	82	102	122	162	182	222	262	302
EP	A - Length	mm	1225	1225	1525	1525	2189	2189	2189	2853	2853
EP	B - Width	mm	895	895	895	895	895	895	895	895	895
EP	C - Height	mm	1990	1990	1990	1990	1990	1990	1990	1990	1990
EP	B1	mm	800	800	800	800	800	800	800	800	800
EP	Operating weight	kg	305	320	410	420	610	640	655	870	885

The above mentioned data are referred to standard units for the constructive configurations indicated. For all the other configurations, refer to the relative Data Sheet.

EP Efficiency Plus

CAUTION! For trouble-free operation of the unit it is essential to maintain the safety distances indicated by the green areas.

versions and configurations

- ▶ **TCO** Twin Cooling (with additional coil supplied with chilled water)
- ▶ **DF** DOWNFLOW, air supply downward
- ▶ **UF** UPFLOW, air supply upward
- ▶ **B3M** Water heating coil with motorised 3-way valve

accessories

- ▶ **VEC** High efficiency EC fan
- ▶ **F5** High efficiency F5 air filter
- ▶ **FPG4** Pleated air filter class G4 (EN779 norm)
- ▶ **PSAF** Differential pressure switch for dirty air filters
- ▶ **MADX** Motorized air supply damper
- ▶ **PGFX** Plenum with frontal grille
- ▶ **HSE3** Electrode boiler steam humidifier from 3 kg/h
- ▶ **HSE5** Electrode boiler steam humidifier from 5 kg/h
- ▶ **HSE8** Electrode boiler steam humidifier from 8 kg/h
- ▶ **HSE9** Electrode boiler steam humidifier from 15kg/h
- ▶ **CPHG** Hot gas re-heat coil
- ▶ **DHFF** Forced dehumidification with flow reduction
- ▶ **3CWW** Modulating 3-way valve for chilled water
- ▶ **EH17** 18 kW electric heaters
- ▶ **EH24** Electric heaters from 36 kW
- ▶ **EH10** 6 kW electric heaters
- ▶ **EH12** 9 kW electric heaters
- ▶ **EH14** 12 kW electric heaters
- ▶ **EH22** Electric heaters from 27 kW
- ▶ **CDPX** Discharge condensate pump
- ▶ **ZBX** Base H=500 mm with frontal return grille
- ▶ **SFA1X** Adjustable floor stand 300<H<500mm
- ▶ **SFA2X** Adjustable floor stand 500<H<700mm
- ▶ **PM** Phase monitor
- ▶ **RCMRX** Remote control via microprocessor control
- ▶ **LONW** LonWorks serial communication module
- ▶ **MODB** Modbus serial communication module
- ▶ **BACN** BACnet serial communication module
- ▶ **PTAO** Outlet air temperature probe
- ▶ **DEFL** Flood detector
- ▶ **DESM1** Smoke detector
- ▶ **CTU** Temperature and humidity control
- ▶ **CTEMP** Temperature control
- ▶ **PRAE** External air intake with filters

Key to symbols:

- Accessories supplied separately.

technical data

Size – UCP-DX		61	81	82	102	122	162	182	222	262	302
▶ Cooling capacity	(1) kW	19,9	25,7	33,1	38,2	47,9	54,8	62,9	77,9	89,6	99,8
Sensible capacity	(1) kW	19,2	23,5	31,2	34,1	45,4	49,8	56,9	73,9	81,5	88,2
Compressor power input	(1) kW	4,2	5,6	7,3	8,7	10,4	12	14,1	16,9	19,7	22,5
EER	(1) -	4,74	4,59	4,53	4,39	4,61	4,57	4,46	4,61	4,55	4,44
Refrigerant circuits	Nr	1	1	1	1	1	1	1	1	1	1
No. of Compressors	Nr	1	1	2	2	2	2	2	2	2	2
Type of compressors	(2) -	Scroll	Scroll	Scroll	Scroll	Scroll	Scroll	Scroll	Scroll	Scroll	Scroll
Outlet air flow-rate	l/s	1667	1944	2500	2639	3750	4028	4444	5833	6528	6667
Type of supply fan	(3) -	RAD	RAD	RAD	RAD	RAD	RAD	RAD	RAD	RAD	RAD
Number of supply fans	Nr	1	1	1	1	2	2	2	3	3	3
Fan diameter	mm	500	500	500	500	500	500	500	500	500	500
Max. static pressure supply fan	(4) Pa	360	360	360	330	360	360	360	360	360	360
Standard power supply	V	400/3~/50	400/3~/50	400/3~/50	400/3~/50	400/3~/50	400/3~/50	400/3~/50	400/3~/50	400/3~/50	400/3~/50
Sound pressure level	(5) dB(A)	56	57	59	60	62	63	64	65	66	67

Note

- (1) Ambient air at 24°C D.B./17 °C W.B. Relative humidity 50% Condensing temperature = 45°C EER referred only to compressors Performance not including fan motor capacity
- (2) SCROLL = scroll compressor
- (3) RAD = radial ventilation
- (4) Net outside static pressure to win the outlet and intake onboard pressure drops
- (5) The sound levels are referred to units working at full load in nominal conditions. The sound pressure level is referred at a distance of 1 m. from the ducted unit surface working in free field conditions. External static pressure 50 Pa. Measurements in accordance with Standard UNI EN ISO 9614-2.
Please note that when the unit is installed in conditions different from nominal test conditions (e.g. near walls or obstacles in general), the sound levels may undergo substantial variations.

Data contained in this document are not binding and may be changed by the Manufacturer without notice.