

**Reversible heat pump**  
Air cooled  
Capacity from 7 to 25 kW

## POWERDuct



**CLIVET PowerDuct S-XMi** is the most versatile solution for systems with two sections.

Available in the version with the reversible heat pump, it is ideal for air-conditioning in offices, banks, shops of small-medium size etc.

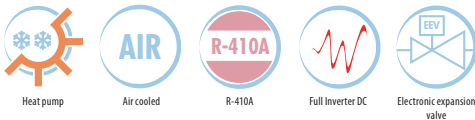
The **MSAN-XMi** unit is the **external part** of the system with a compressor controlled by an inverter and fans with a DC motor with pressure switch control to follow any variation in the required thermal loads with precision.

**CN-XMi** is the **internal unit** for horizontal-ducted installation and can be easily placed in a false ceiling. It is **complete with electronic expansion valve and DC fan**.

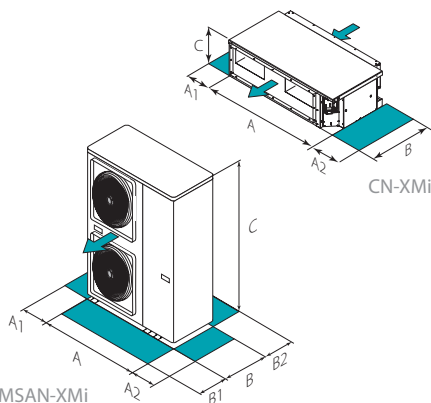
The user interface, to be placed in the room, allows you complete control of the entire system and includes a wide screen with icons that allow easy, straightforward adjustment.



### functions and features



### dimensions and clearances



Size – CN-XMi		D71	D90	D112	D160	D200	D250
A - Length	mm	952	952	952	1300	1443	1443
B - Width	mm	690	690	690	690	810	810
C - Height	mm	420	420	420	420	470	470
A1	mm	500	500	500	500	500	500
A2	mm	600	600	600	600	600	600
Operating weight	kg	41	47	47	70	108	108

Size – MSAN-XMi		80M	105M	120T	160T	200T	260T
A - Length	mm	1075	1075	900	900	1120	1120
B - Width	mm	396	396	400	400	528	528
C - Height	mm	966	966	1327	1327	1558	1558
A1	mm	300	300	300	300	300	300
A2	mm	600	600	600	600	600	600
B1	mm	2000	2000	2000	2000	3000	3000
B2	mm	300	300	300	300	300	300
Operating weight	kg	75	75	95	102	137	147

CAUTION! For trouble-free operation of the unit it is essential to maintain the safety distances indicated by the green areas.

## technical data

Size – S-XMi			D71	D90	D112	D160	D200	D250
▶ Cooling capacity	(1)	kW	7,1 (1,5~8)	9 (2~10)	11,2 (2,5~13)	15,8 (3~17)	20 (4~22)	25 (5,5~27)
Sensible capacity	(1)	kW	5,8	6,8	8,5	12,0	15,1	18,9
Power input <sup>(1)</sup>	(1)	kW	2,0	2,5	3,6	5,1	6,9	8,4
EER	(1)	-	3,53	3,57	3,12	3,08	2,90	2,99
Energy Efficiency Class	(4)	-	A	A	-	-	-	-
▶ Heating capacity	(2)	kW	7,6 (1,5~8,5)	9,4 (2~10,5)	12,9 (2,5~14)	17 (3,5~18,5)	22,1 (4,5~24)	28,1 (6~31)
Power input <sup>(1)</sup>	(2)	kW	2,0	2,3	3,9	5,2	6,9	7,6
COP	(2)	-	3,80	4,14	3,33	3,26	3,21	3,72
Energy Efficiency Class	-	-	A	A	-	-	-	-
<b>Outdoor unit MSAN-XMi</b>			<b>80M</b>	<b>105M</b>	<b>120T</b>	<b>160T</b>	<b>200T</b>	<b>260T</b>
Power supply		V/Ph/Hz	230/1/50		400/3/50			
No of compressors		-	1		1			
Compressor Type		-	TWIN ROTARY DC					
No of supply fans		-	1		2			
Fan Motor Type		-	DC		DC+DC			
Sound Pressure Level	(4)	dB(A)	56	57	57	57	59	60
<b>Indoor unit CN-XMi</b>			<b>D71</b>	<b>D90</b>	<b>D112</b>	<b>D160</b>	<b>D200</b>	<b>D250</b>
Power supply		V/Ph/Hz	230/1/50					
Fan Type		-	CFG					
No of supply fans		-	1					
Airflow rate		m3/h	1390	1650	1930	2660	4660	4760
Max Ext Static Pressure	(3)	Pa	196	196	196	196	200	200
Sound Pressure Level	(5)	dB(A)	44	47	47	52	53	53

### Notes

The Product is compliant with the Erp (Energy Related Products) European Directive. It includes the Commission delegated Regulation (EU) No 2016/2281, also known as Ecodesign Lot21.

Cooling and Heating performance data referring to the coupling between the MSAN-XMi outdoor unit and the CN-XMi indoor unit of the same size.

Equivalent pipe length = 7.5 m; height difference outdoor unit-indoor unit = 0 m

(1) Performance in Cooling: ambient air 27°C D.B./19°C W.B., air entering outdoor heat exchanger 35°C D.B./24°C W.B.

(2) Performance in Heating: ambient air 20°C D.B./15°C W.B., air entering outdoor heat exchanger 7°C D.B./6°C W.B.

(3) Maximum net static pressure available to make up for any pressure drop in delivery and return.

(4) Sound level calculated at 1 m from the air outlet and 1 m above the floor

(5) Sound level calculated at 1.4m below the center of the unit

## accessories

- ▶ **CDPX** Condensate discharge pump
- ▶ **RM12AX** RM12A infrared remote control
- ▶ **KJR86CX** KJR86C simplified electronic room control for wall installation
- ▶ **KJR120CX** KJR120C electronic room control for wall installation with weekly scheduling
- ▶ **KJR150X** Indoor units group controller

- ▶ **CCM15X** Data converter management with Cloud, up to 64 units
- ▶ **LONGWX** LONWORKS protocol converter
- ▶ **CCM08X** BACNET protocol converter
- ▶ **CCM18UX** MODBUS protocol converter up to 16 units
- ▶ **KNXX** KNX protocol converter of a single unit
- ▶ **CCM18X** MODBUS protocol converter up to 64 units

### Key to symbols:

- Accessories separately supplied