

## Condensing unit

► Cooling only

Air cooled

Outdoor installation

Capacity from 210 to 588 kW



## SPINCHILLER

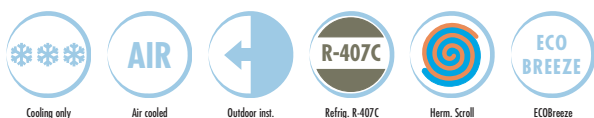
The **SPINchiller** series presents a new concept of condensing unit offering:

- **EFFICIENCY** that increases as the heating load decreases, while guaranteeing maximum requested load when necessary. SPINchiller always ensures maximum comfort with very high efficiency and consequently considerable energy savings;
- **customisation** of the unit with the **ECOBreeze** accessory, which enhances the qualities of flexibility and energy efficiency;
- **easy connection** to the service system plus a simple control system and easy maintenance drastically reduce work requiring specialised personnel with consequent reduction in installation costs;
- customisation of the unit, also for special requirements both in the civil and technological air-conditioning sphere, thanks to the many available optional accessories.

The innovative and hi-tech features of SPINchiller give this series a much higher quality than can generally be found on the market today.

**MSAT-SC** is a condensing unit series for use together with a remote evaporating section.

## functions and features



## available configurations

	(1)	(2)	(3)	(4)
MSAT-SC	D	65D	EN	T
				C

### (1) ENERGY RECOVERY:

- - Not required
- **D** Partial recovery  
Carried out using braze-welded plate-type exchangers suited for recovering the desuperheating heat up to a maximum of 20% of the total unit heat.

### (2) ACOUSTIC CONFIGURATION:

- **SC** Compressor soundproofing  
This set-up is obtained by inserting the compressors in a soundproofed compartment.
- **EN** Super Silenced  
This set-up is obtained by soundproofing the compressor compartment even more and reducing the fan speed of rotation with an uprated condensing section.

### (3) ENERGY EFFICIENCY:

- **T** Temperate climate (Standard)

### (4) EXCHANGER APPROVALS:

- **CE** PED (European test)
- **C** Clivet (In-house test)

## accessories

- Condenser coil in copper/aluminium with acrylic coating
- Condenser coil in copper/aluminium with Energy Guard DCC Aluminium treatment
- ▸ Spring antivibration mounts
- Compressor compartment and condenser coil protection grilles
- Hail grilles
- Shut-off valve on compressor supply and return
- ▸ Connection set (thermostat, filter, etc)
- High and low pressure gauges
- Device for reducing consumption of the outdoor section fans of the EcoBreeze type
- Phase monitor
- Shunt capacitors (power factor > 0,9)
- CAN/MODBUS serial converter kit
- CAN/LonWorks serial converter kit
- Free contacts for compressor status
- ▸ Remote control with remote microprocessor control

### Key to symbols:

- Accessories supplied separately.

## technical data

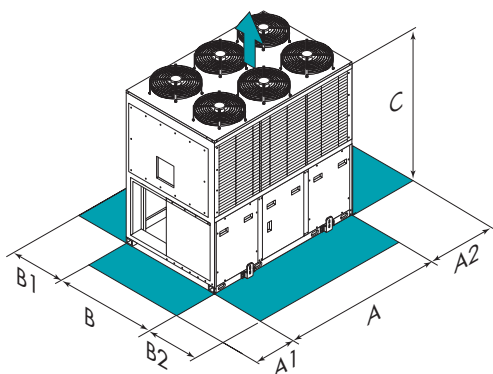
Sizes			65D	70D	75D	80D	90D	100D	110D	120D	135F	150F	165F	180F	
SC	▸ Cooling capacity	(1) kW	210	226	240	255	278	318	363	386	429	462	518	588	
SC	Total input	kW	64,8	69,5	75,9	82,2	89,5	96,8	112	126	139	156	179	193	
SC	Total EER at 100%	-	3,25	3,25	3,17	3,10	3,10	3,29	3,25	3,06	3,10	2,95	2,90	3,04	
SC	Sound pressure level	(2) dB(A)	76	76	76	76	76	76	78	78	78	78	79	79	
EN	▸ Cooling capacity	(1) kW	204	220	231	244	264	300	350	379	406	450	500	551	
EN	Total input	kW	63,7	69,5	77,1	84,0	92,1	103	111	125	141	159	179	199	
EN	Total EER at 100%	-	3,20	3,16	2,99	2,90	2,87	2,92	3,15	3,02	2,88	2,82	2,79	2,77	
EN	Sound pressure level	(2) dB(A)	67	68	68	68	68	68	70	70	71	71	72	72	
Number of refrigerant circuits			2												
Number and type of compressors			4 SCROLL						6 SCROLL						
Power supply			V/Ph/Hz									400/3/50			

### Data referred to the following conditions:

- (1) Saturated suction temperature (SST) = 9,5°C (Dew Point); external air temperature 35°C  
 (2) Sound levels refer to units with full load under nominal test conditions. The sound pressure is measured at 1 m from the external surface of the unit in open field conditions.

## dimensions and clearances

leave free



Sizes		65D	70D	75D	80D	90D	100D	110D	120D	135F	150F	165F	180F
Length (A)	mm	2950	2950	2950	2950	2950	2950	4250	4250	4250	4250	4250	4250
Width (B)	mm	2195	2195	2195	2195	2195	2195	2195	2195	2195	2195	2195	2195
Height (C)	mm	2410	2410	2410	2410	2410	2410	2410	2410	2410	2410	2410	2410
▸ (A1)	mm	700	700	700	700	700	700	700	700	700	700	700	700
(A2)	mm	700	700	700	700	700	700	700	700	700	700	700	700
(B1)	mm	1300	1300	1300	1300	1300	1300	1300	1300	1300	1300	1300	1300
(B2)	mm	1500	1500	1500	1500	1500	1500	1500	1500	1500	1500	1500	1500
SC Weight in oper.	kg	2102	2164	2226	2288	2293	2298	2926	2984	3113	3120	3506	3670
EN Weight in oper.	kg	2112	2184	2246	2308	2313	2318	2876	3009	3203	3300	3596	3650

The above data refer to standard units.

**CAUTION!** For trouble-free operation of the unit it is essential to maintain the clearances in green.