

Direct expansion high efficiency air conditioner

Reversible heat pump
Water cooled
Horizontal indoor installation uncased
Capacity from 2.1 to 2.8 kW



VERSATEMP

VERSATEMP EVH-XS is the **high efficiency packaged air-conditioner** that automatically heats or cools rooms throughout the whole year, using **water as source**.

Its strength is the **reduced height** directly comparable with a horizontal fan coil, ideal for installation in offices, hotel rooms or for applications with stringent architectural constraints.

Thanks to its rotating compressor, its mechanical expansion valve, its plate exchanger and its multi-speed centrifugal fan with brushless EC motor, this unit stands out due to its **high level of efficiency in all operating conditions** and its **great reliability**.

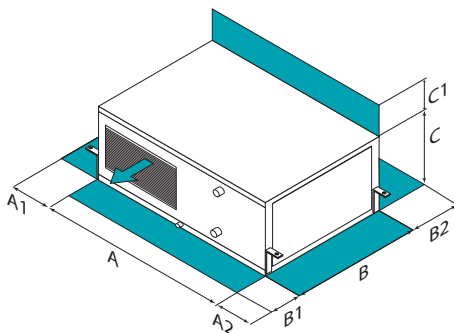
The operating silence is ensured by the particular sound-proofing of the compressor compartment, by the accurate balancing of the fans and by the standard anti-vibration devices for all moving parts.



functions and features



dimensions and clearances



Size – EVH-XS		005.1	007.1
A - Length	mm	1018	1018
B - Width	mm	594	594
C - Height	mm	254	254
A1	mm	150	150
A2	mm	500	500
B1	mm	300	300
B2	mm	500	500
C1	mm	100	100
Operating weight	kg	59	60

The above mentioned data are referred to standard units for the constructive configurations indicated. For all the other configurations, refer to the relative Technical Bulletin.

CAUTION! For trouble-free operation of the unit it is essential to maintain the safety distances indicated by the green areas.

technical data

Size – EVH-XS		005.1	007.1
▶ Cooling capacity	kW	2,06	2,84
Sensible capacity	kW	1,75	1,83
Compressor power input	kW	0,48	0,60
Total power input	kW	0,53	0,67
EER	-	4,29	4,73
▶ Heating capacity	kW	2,43	3,37
Compressor power input	kW	0,60	0,82
Total power input	kW	0,65	0,87
COP	-	4,05	4,11
No. of compressors	Nr	1	1
Type of compressors	-		ROT
Supply airflow	l/s	111	139
Type of supply fan	-		CFG
Number of supply fans	Nr	1	1
Max. static pressure supply fan	Pa	50	50
Standard power supply	V		230/1/50
Sound pressure level	dB(A)	42	45
Directive ErP (Energy Related Products)			
SEER	(1) -	3,26	4,20
SCOP	(1) -	3,10	3,99

The Product is compliant with the Erp (Energy Related Products) European Directive. It includes the Commission delegated Regulation (EU) No 2016/2281, also known as Ecodesign Lot21.

(1) Data calculated according to the EN 14825:2016 Regulation

accessories

- **CWMX** Electronic room control with display, for wall installation
- **CIWMX** Electronic room control with display, for wall installation in built-in box
- **V2MODX** 2-way modulating valve for disposable water system
- **V2ONX** 2-way ON-OFF valve for variable flow-rate loop
- **AMMX** Spring antivibration mounts
- **FCVBX** Water balancing valve
- **VIFWX** Steel mesh strainer and hand shut-off valve
- **PFHCX** 200 mm flexible pipes for the connection to the water circuit + drop conduit
- **PFHC1X** 500 mm flexible pipes for the connection to the water circuit + drop conduit
- **CDPX** Condensate drain pump
- **MOBA** RS485 serial port with Modbus protocol, built-in
- **MOBX** Modbus RS485 serial port kit
- **CMSLWX** LonWorks serial communication module
- **BACX** BACnet serial communication module
- **VIMANX** Hand shut-off valve
- **BPH2OX** Shut-off valve for by-pass (water side)

Key to symbols:

- Accessories separately supplied